

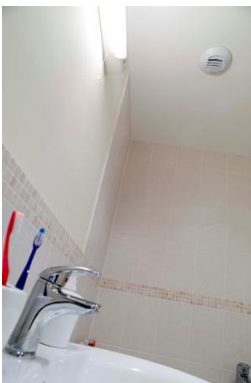
## A133 Humidity Controlled Extract Grille with Timed Boost specification document

The A133 Humidity Controlled Extract Grille with Timed Boost is designed for 'wet rooms', controlling ventilation in line with relative humidity, with an added boost facility to increase ventilation to 150m<sup>3</sup>/hr, when required, for a timed period of 30 minutes.



### OPERATION

The A133 Humidity Controlled Extract Grille with Timed Boost incorporates a number of nylon strands which expand and contract in line with relative humidity, releasing tension within a set of springs inside the extract, varying the size of the opening of the extract. In addition, the extract is electrically connected to a remote boost switch, which allows occupants to boost ventilation for a period of 30 minutes.



The extract forms part of a iMEV solution, and are located in 'wet rooms' such as kitchens, utility rooms, bathrooms, en-suites and WC's.

Ensures that the room in which it is situated is not over ventilated for long periods of time by returning to self regulating humidity controlled level after 30 minutes.

The A133 is particularly suited as part of iMEV solution whereby automatic ventilation in line with relative humidity is wanted for the majority of the time, whilst still offering occupants the option to boost ventilation.

The timed boost facility ensures that ventilation does not remain at the high rate when it is not wanted, but instead returns to the desired level in line with the humidity level.

### FEATURES

#### Energy Efficiency

The timed element ensures that ventilation does not remain at a high rate for unwanted prolonged periods.

#### Occupant Comfort

Ensures that the room in which it is situated is not over ventilated for long periods of time by returning to self regulating humidity controlled level after 30 minutes.

#### Occupant Control

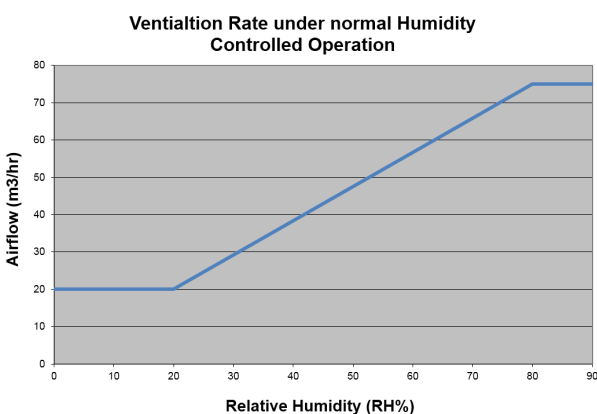
The extract allows occupants an element of control to increase ventilation as and when required.

#### Visually Unobtrusive

The attractive design ensures that the extract is aesthetically pleasing to the occupant.

#### Flexibility

The A133 Extract Grille can be either wall or ceiling mounted.



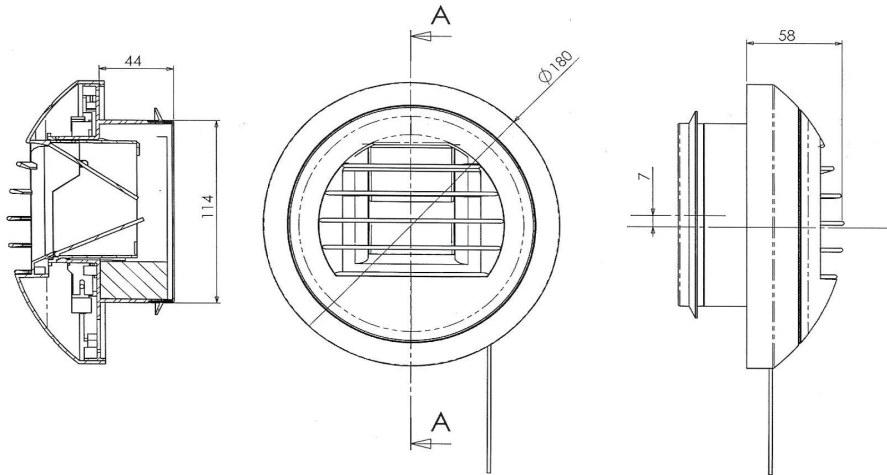
Relationship between relative humidity and ventilation rate	
RH (%)	Airflow (m <sup>3</sup> /hr)
0	20
20	20
80	75
90	75

Extract can also be boosted to 150m<sup>3</sup>/hr

Results shown @80Pa

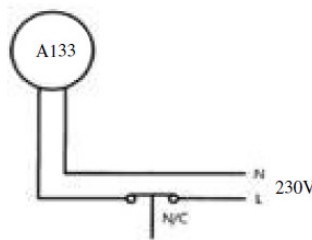
## A133 Humidity Controlled Extract Grille with Timed Boost specification document

<b>Airflow @ 80Pa</b>	Humidity Operation:	20m <sup>3</sup> /hr (6l/s) - 75m <sup>3</sup> /hr (21l/s)
	Boost:	150m <sup>3</sup> /hr (42l/s)
<b>Opening Area:</b>	Humidity Operation:	220mm <sup>2</sup> - 840mm <sup>2</sup>
	Boost:	1680mm <sup>2</sup>
<b>Control Method:</b>	Humidity Controlled + A132 Boost Switch ( <i>sold separately</i> )	



### WIRING

Dimensions	
External Diameter:	180mm
Thickness:	58mm
Spigot Diameter:	125mm



A132 timed boost switch (spring return)



A132 boost switch

Extract Grille	Standard Operation Range	Additional Boost	Use with Boost Switch	Power Supply	
				Mains	Battery
A133	Humidity controlled 20m <sup>3</sup> /hr - 75m <sup>3</sup> /hr (6l/s-21l/s)	30 min timed boost @ 150 <sup>3</sup> /hr (42l/s)	A132	230v	None