

## A141PIR Constant Volume Extract Grille with PIR timed boost specification document

The A141PIR Constant Volume Extract Grille with PIR timed boost is designed for 'wet rooms', allowing a low level of continuous ventilation (15m<sup>3</sup>/hr), with an added boost facility to increase ventilation to 65m<sup>3</sup>/hr for a timed period of 30 minutes when the extract senses motion.

### **OPERATION**

The A141PIR Extract Grille incorporates a specially designed flexible rudder which allows the extract to self regulate and ensure that ventilation does not increase above the desired level. In addition, it has a PIR (Passive Infra Red) sensor which upon detecting motion, boosts ventilation to a high rate for a period of 30 minutes.



The extract forms part of a whole house mechanical ventilation solution, and is located in 'wet rooms' such as kitchens, utility rooms, bathrooms, en-suites and WCs.

Extracts are ducted to a centrally located, continuously running extract fan which drives the ventilation system.

The A141PIR is particularly suited as part of a whole house ventilation solution whereby a constant low level of ventilation is wanted whilst a 'wet room' is unoccupied, but a high rate when it is being used.

The timed facility ensures that ventilation does not remain at the high rate when it is not wanted, but instead returns to the desired constant low level.

### **FEATURES**

#### **Fully Automatic**

The extract is fully automatic, ensuring controlled ventilation with no occupant input required.

#### **Occupant Comfort**

Ensures that the room in which it is situated is not over ventilated for long periods of time by returning to constant level after 30 minutes.

#### **Energy Efficiency**

The extract ensures that ventilation is at a low level when a room is unoccupied and therefore not being used.

#### **Visually Unobtrusive**

The attractive design ensures that the extract is aesthetically pleasing to the occupant.

#### **Flexibility**

The A141PIR Extract Grille can be either wall or ceiling mounted. The PIR sensor should point towards the door.

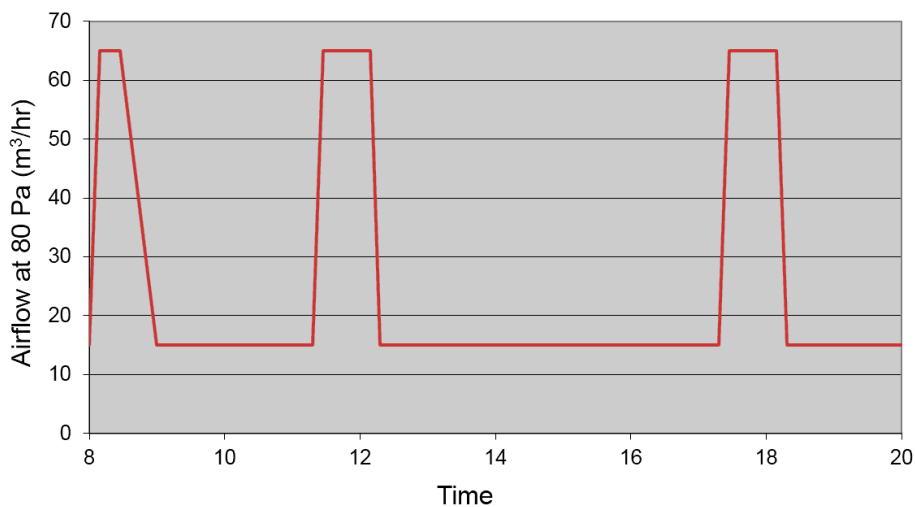
#### **Ease of Installation**

As there are no electrical connections to be made, installation is made as simple as possible.

## A141PIR Constant Volume Extract Grille with PIR timed boost specification document

The diagram below illustrates how the timed boost function allows the occupant to increase the ventilation rate as and when required for a period of 30 minutes.

Example of Boost Function

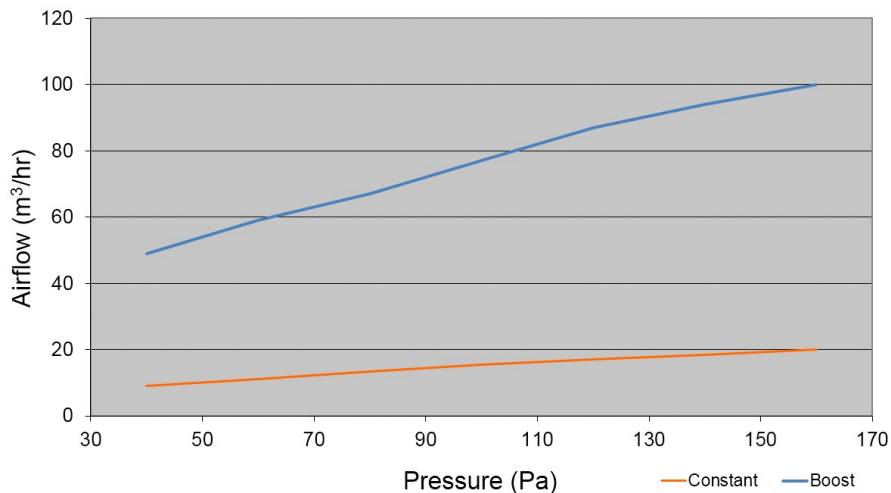


The room becomes occupied and A141PIR senses motion here, increasing ventilation to the high rate of 65m<sup>3</sup>/hr for a period of 30 minutes. When the room is unoccupied, and no motion is sensed, the ventilation rate remains at a constant rate of 15m<sup>3</sup>/hr.

**Note:**

The A141PIR requires 2 x AA batteries to operate. These are not included with the product.

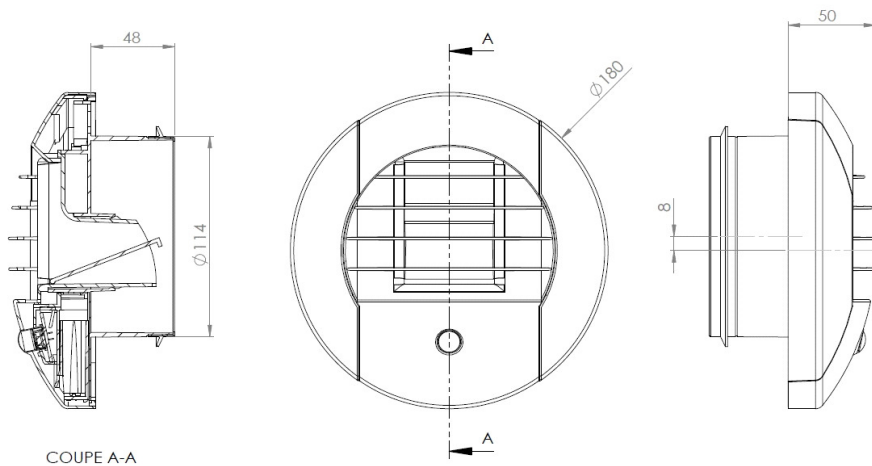
PIR controlled extract 15/65 m<sup>3</sup>/hr



## A141PIR Constant Volume Extract Grille with PIR timed boost specification document

<b>Airflow @80Pa:</b>	Constant:	15m <sup>3</sup> /hr (4l/s)
	Boost:	65m <sup>3</sup> /hr (18l/s)
<b>Opening Area:</b>	Constant:	170mm <sup>2</sup>
	Maxi-	730mm <sup>2</sup>
<b>Control Method:</b>	Self Regulating + Motion Sensing PIR (Passive Infra Red)	

Dimensions	
External Diameter:	180mm
Thickness:	50mm
Spigot Diameter:	125mm



Extract Grille	Standard Operation Range	Additional Boost	Use with Boost Switch	Power Supply	
				Mains	Battery
A141PIR	Constant volume 15 <sup>3</sup> /hr (4l/s)	30min timed boost  @65m <sup>3</sup> /hr (18l/s)	None	None	2 x AA