

A141 Constant Volume Extract Grille specification document

The A141 Constant Volume Extract Grille is designed for 'wet rooms', allowing a pre-defined level of ventilation at all times. The extract is self regulating and allows a constant air flow of 15, 30, 45 or 60m³/hr dependant on the version used. This ensures that the room in which it is situated is not over-ventilated.



OPERATION

The A141 Constant Volume Extract Grille incorporates a specially designed flexible rudder which allows the extract to self regulate and ensure that ventilation does not increase above the desired level.



The extract forms part of a whole house mechanical ventilation solution, and are located in 'wet rooms' such as kitchens, utility rooms, bathrooms, en-suites and WC's.

Extracts are ducted to a centrally located, continuously running extract fan which drives the ventilation system.

The A141 is particularly suited as part of a MEV solution whereby boost ventilation is wanted in part of a building but not in certain wet rooms. The A141 allows boost ventilation in other areas of the building, but ensures ventilation in the wet room in which it is located, remains constant.

FEATURES

Energy Efficiency

Being non-electrical, the A141 extract is ideal as part of an energy efficient ventilation system.

Visually Unobtrusive

The attractive design ensures that the extract is aesthetically pleasing to the occupant.

No Occupant Involvement

The extract operates without the need for occupant involvement, taking the worry away from homeowners.

Flexibility

The A141 Extract Grille can be either wall or ceiling mounted.

Simple Maintenance

With no electrical parts to malfunction, the A141 requires minimal maintenance. It just requires periodic cleaning.

Prevents Over-Ventilation

The A141 ensures that over-ventilation is not experienced and that excessive heat is not lost.

Ease of Installation

As there are no electrical connections to be made, installation is made as simple as possible.

Occupant Comfort

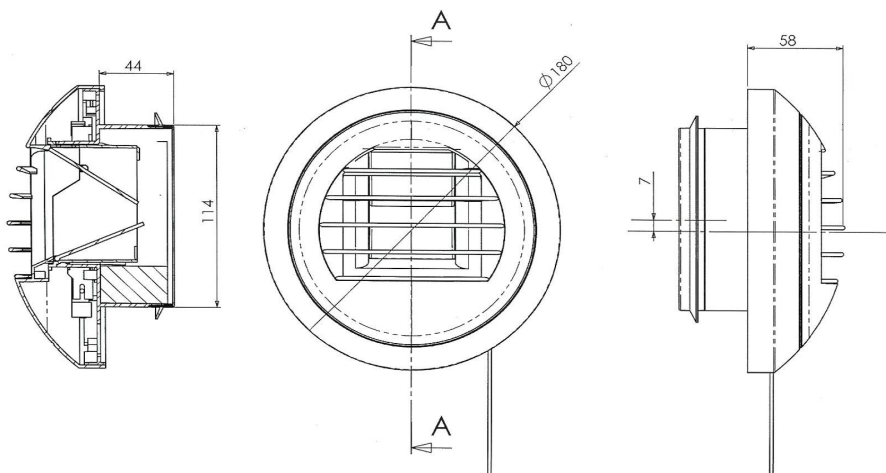
Ensures that the room in which it is situated is not over ventilated.

A141 Constant Volume Extract Grille specification document

Airflow @ 80Pa:	
A141/15	15m ³ /hr (4l/s)
A141/30	30m ³ /hr (8l/s)
A141/45	45m ³ /hr (13l/s)
A141/60	60m ³ /hr (17l/s)

Dimensions	
External Diameter:	170mm
Thickness:	40mm
Spigot Diameter:	25mm

Control Method: Constant volume



Extract Grille	Standard Operation Range	Additional Boost	Use with Boost Switch	Power Supply	
				Mains	Battery
	Constant Volume	None	None	No power required	
A141/15	15m ³ /hr (4l/s)	None	None	No power required	
A141/30	30m ³ /hr (8l/s)	None	None	No power required	
A141/45	45m ³ /hr (13l/s)	None	None	No power required	
A141/60	60m ³ /hr (17l/s)	None	None	No power required	