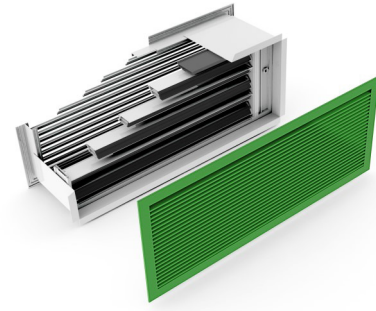


WALL AIRCOOL SPECIFICATION DOCUMENT

Product Description:

Passivent Aircool Wall Ventilator units are a range of controllable ventilators primarily for installation in external facades in commercial buildings. The electrically-actuated ventilators provide controlled air intake and extract in natural (passive) ventilation systems, and may also be used for air intake or extract in mechanical ventilation systems. They are particularly suitable for night cooling strategies, where daytime heat build-up is dissipated from the structure during the night.



Construction Details:

External Louvres: Frame and weather louvres are extruded aluminum, powder coated to standard RAL colour to suit with 4mm black polypropylene insect screen.

Internal louvre: Double skin aluminum louvre blades with ABS thermal break and blade compression seals. Actuator provided with terminal block and removable aluminum cover for ease of maintenance. Actuators can be mounted on either left or right hand side of the louvre viewed from internal side. Right hand side is standard.

Wall Sleeve: Through the cavity wall, constructed of aluminum sheet to suit wall depth. Make for easier installation.

Cover Grille: Frame and blades are extruded aluminum and supplied to RAL9016 gloss (white). Other RAL colours are available on request. Fixings and cover caps supplied.

Performance data:

Materials used for Internal frame and louvres when closed achieve a Class 1 rating when tested to BS 476: Part 7:1987. Weatherability rating to BS5368: Part 2 – 1000 Pascals. External louvres provide 98.6% rain rejection when independently tested at BSRIA using the BS EN 13030:2001. Tested to BS 6375: Part 1: 1989 the closed ventilators provide an air leakage of 9.7m³/hour/m² at 50 Pa pressure. 0.54m³/hour/m² at a more realistic operating pressure of 2 Pa. Appraised under BS EN ISO 9001. All Aircool louvres have a Cd Value Inflow of 0.42 and Outflow of 0.44 (with internal cover grille). All Aircool louvres have a U-value of 0.86W/m²K when closed in the vertical position (wall mounted). Percentage ventilation free area ranges from 24-44% dependent on product size.

Available Sizes:

Heights of 255 up to 1490mm (structural opening size).
Lengths of 400 up to 2300mm (structural opening size).
Minimum wall depth 195mm with internal cover grille and 185mm with out grille.

Actuator Type (supplied with product):

24V Modulating (0-10V signal).

Options:

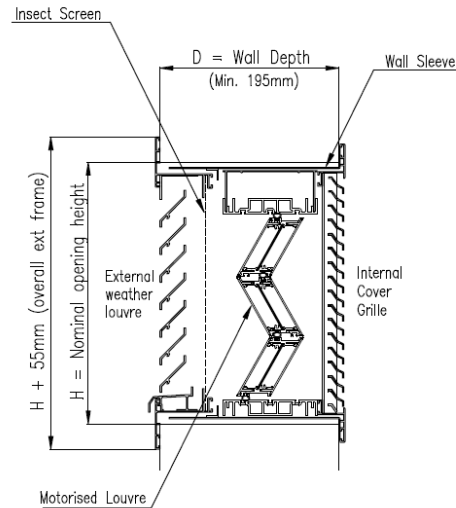
Dummy (non-operating) and double banked fixed weather louvre versions are available. External weather louvres can be provided with additional support mullions to resist vandal attack. Acoustic versions available. Thermal Aircool option available as inlet louvres.

Cover Grille Options:

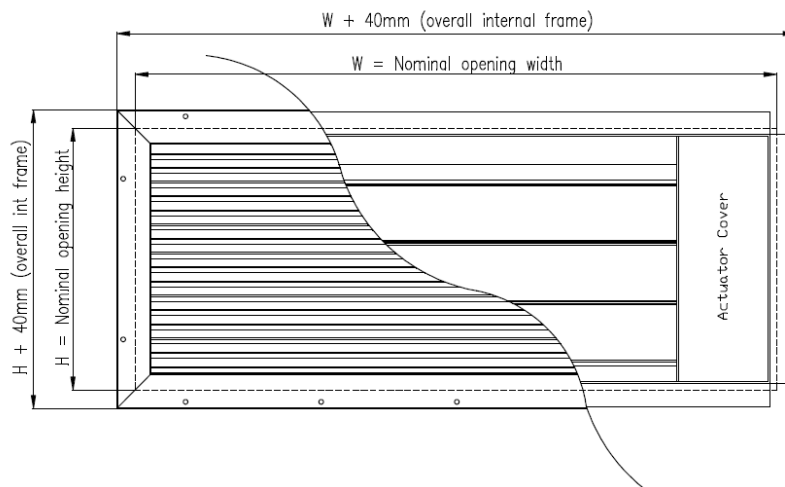
One way, egg crate grille and heavy duty.

Technical Drawing:

Side View



Front View (wall opening shown dotted)



Passivent maintains a policy of continuous development and reserves the right to amend product specifications without notice.