

CDA 500 WINDOW ACTUATOR SPECIFICATION DOCUMENT

Product Description:

The chain driven actuator is a slim line product that can be fitted to most types of vertical mounted hinged windows. Should the actuator be used below 2.5m high, from an access point, then this actuator can be used as it has pressure safety function. The risk of entrapment is reduced as the actuators are programmed to reverse if they encounter obstacles when closing.



The actuator also has a soft close function and can be used with most window types, designed for surface mounting. It also has an integrated reverse function to ensure a prolonged life span of the window gaskets.

The window must be in the vertical position. If it is not vertical then please contact Passivent for advice.

Construction Details:

The actuator is supplied with a variable opening strokes and finishes. The actuator contains torque overload, built-in electronic load switch-off/end stop and is CE Marked.

Technical Data:

Feature	Chain Driven Window Actuator
Stroke	500mm, maximum opening (depends on the window construction)
Voltage Supply	24Vdc (max 10% ripple)
Absorbed Current	1.0A
Protection	IP20
Loadless Translation Speed	9mm/s
Pressure Force	Up to 200mm: 200N, then reduces to 47N at 500mm
Traction Force	200N
Chain	13mm zinc cromate passivated steel chain
Fixing	Surface mounted through actuators
Standard Colours	White (RAL9010) / Grey (RAL9006)
Product life cycle	10,000 Cycles
Electrical Connection	Cable connected to actuator (cable by others)
Window width	min. 700mm, maximum width depends on the window construction and the number of window actuators. Up to 2 window actuators can be synchronized. A second actuator should be used when the window is between 1300mm and 2600mm
Window Height	min. 700mm maximum height depends on the window construction and the number of window actuators

Sizes:

487(w) x 30.5(h) x 42(d) mm

Information Update

PVCTI24 - Issue 1 - January 2019



Email: projects@passivent.com
Web: www.passivent.com
Tel: +44 (0)1732 850770

Operation:

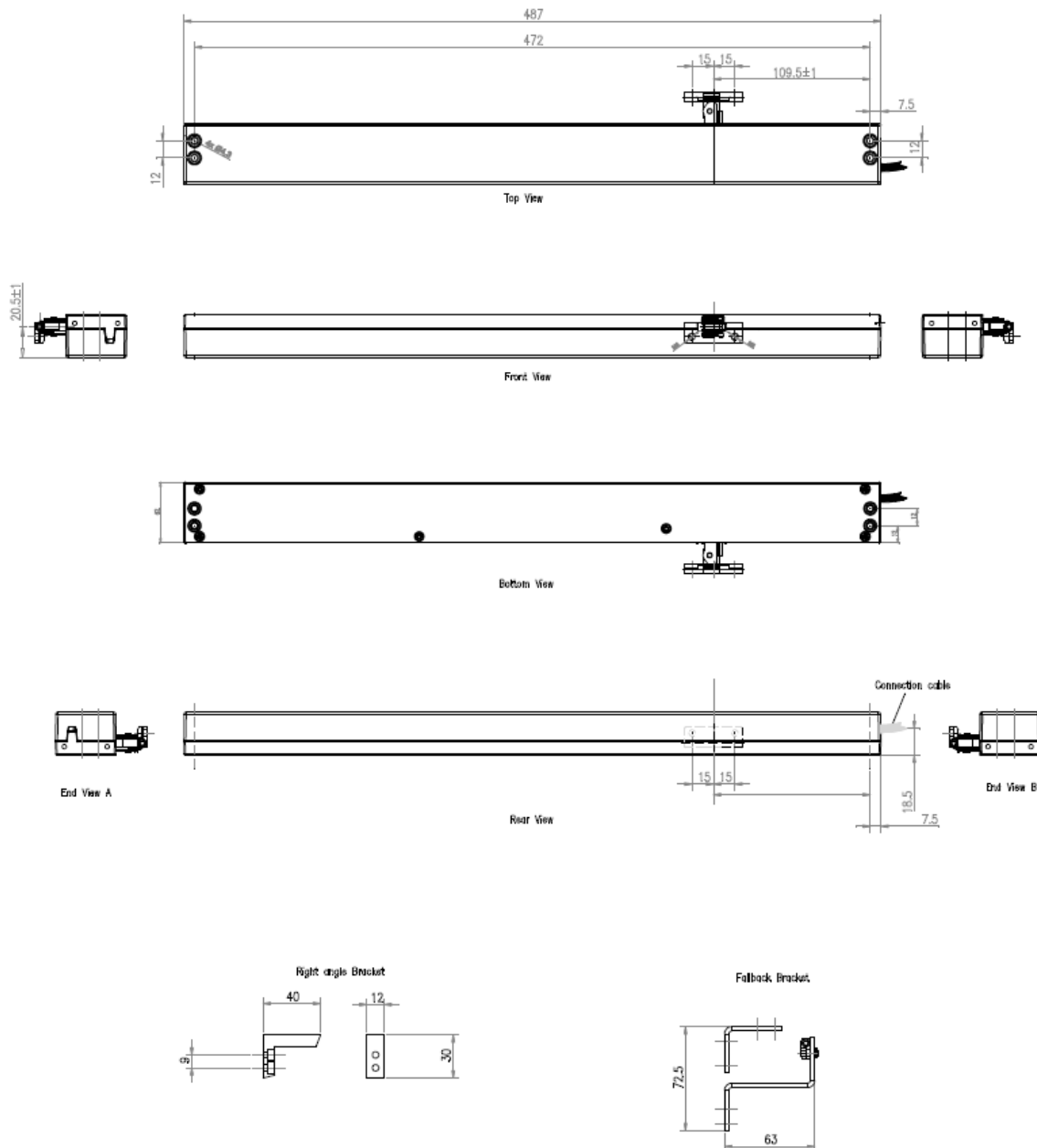
Operation of the actuator is achieved by applying a 24v DC supply to the BROWN & WHITE cores of the flex. Applying positive (+) to brown, and negative (-) to white will drive the chain outwards. Applying negative (-) to brown, and positive (+) to white will drive the chain inwards.

Partial opening is achieved by removing the 24v DC supply part way through the open or close operation, this will stop the chain where they will remain until the 24v DC supply is re-applied.

Options:

Fixing through the body of the actuator is the usual application, however additional right angle brackets or fall back brackets, shown below can be offered to suit the application.

Technical Drawing:



Passivent maintains a policy of continuous development and reserves the right to amend product specifications without notice.