

MOTORISED CONTROLLABLE DAMPER SPECIFICATION DOCUMENT

Product Description:

Passivent Motorised Controllable Damper can be either wall or ceiling mounted. Used for fixing into passive stack arrangement to control airflow.

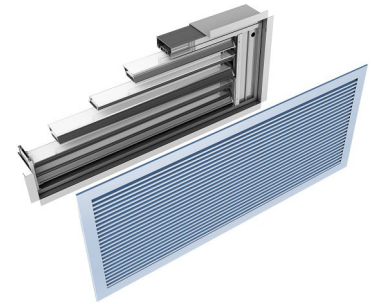
Controllable double skin aluminum louvre blades with ABS thermal break to provide thermal insulation in the closed position.

Construction Details:

Motorised Controllable Dampers: Double skin aluminum louvre blades with ABS thermal break and blade compression seals. Actuator provided with terminal block and removable aluminum cover for ease of maintenance.

Wall Sleeve constructed of aluminium sheet.

Cover Grille: Frame and blades are extruded aluminium and supplied to RAL9016 gloss (white). Other colours are available upon request. Fixings and cover caps supplied.



Performance data:

Internal frame and louvres when closed achieve a Class 1 rating when tested to BS 476: Part 7: 1987. Tested to BS 6375: Part 1: 1989 the closed ventilators provide an air leakage of $9.7\text{m}^3/\text{hour}/\text{m}^2$ at 50 Pa pressure.

$0.54\text{m}^3/\text{hour}/\text{m}^2$ at a more realistic operating pressure of 2 Pa.

Appraised under BS EN ISO 9001.

Insulated Louvre Units have a Cd Value Inflow of 0.69 and an outflow of 0.57 (with internal cover grille).

All Aircool Louvre units have a U-value of $0.89\text{W}/\text{m}^2\text{K}$ when closed in the horizontal position (ceiling mounted) and $0.86\text{W}/\text{m}^2\text{K}$ when closed in the vertical position (wall mounted).

Percentage ventilation free area ranges from 24 - 44% dependent on product size.

Available Sizes:

Heights of 255 up to 1490mm.

Lengths of 400 up to 2300mm.

Wall depth 135mm with internal cover grille and 125mm without grille.

Actuator Options (supplied with product):

24V Modulating (0-10V signal).

Options:

Actuators can be mounted on either left or right hand side of the louvre viewed from internal side. Right hand side is standard.

Acoustic versions available.

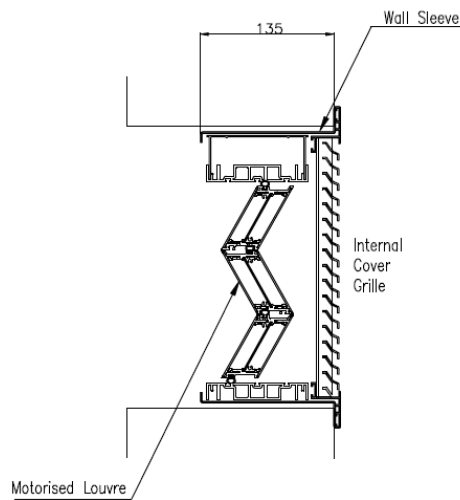
Thermal version available

Cover Grille Options:

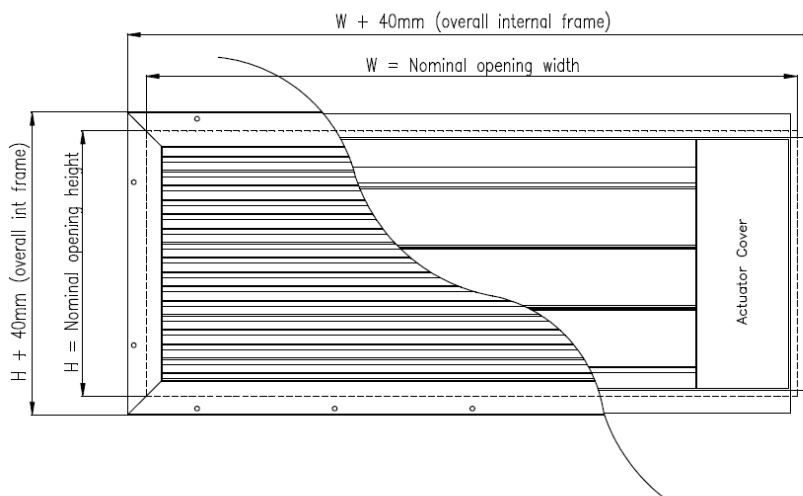
One way, two way, egg crate and heavy duty.

Technical Drawing:

Side View



Front View (wall opening shown dotted)



Passivent maintains a policy of continuous development and reserves the right to amend product specifications without notice.