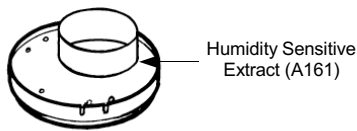
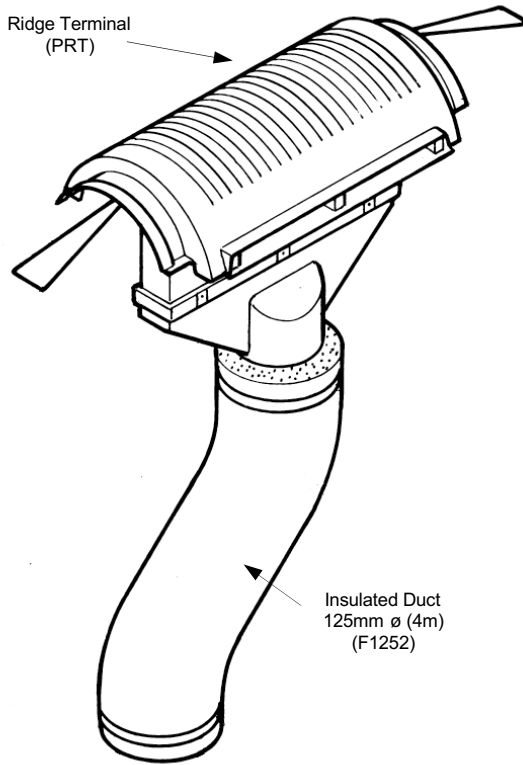


KIT REFERENCE: PSV05 - Typical First Floor Bathroom



Installation Guidelines:

All flat ducting within habitable floors should be contained inside boxing.

All flexible duct connections should be clamped and taped. Rigid connections should also be taped.

For kitchen extracts, the vent should **ideally** be within 1.0m of the cooker hob but **never** directly over it.

Ducting must be kept as vertical as possible with as few bends/offsets as possible. It should be cut to length to a taut fit as necessary. Insulated ductwork in the roof void should rise at no less than 45°.

Note that any substitution of components may hinder the effective operation of the system. Further advice on installation is available from the Technical Services Department on 0161 962 7113.

Ordering Details:

To order items from Passivent, please place an order with a recognised National Builders Merchant. All components are normally available ex stock with the exception of roof terminals. Please allow 10-15 days for manufacture of terminals. Please allow 10-15 days for manufacture of terminals and state the manufacturer, profile and colour required.

Parts List - PSV05:

QTY	PART NO	DESCRIPTION
1	A161	Humidity Sensitive Extract
1	F1252	Insulated Flexible Ducting - 4.0m
1	PRT	Ridge Terminal
2	X332	Speed Clamps

Note 1: On quotations, one roll of ducting tape (Ref X331) is included per property.

Note 2: Fire dampers are required behind all extracts in multi occupancy dwellings where fire prevention is required and above kitchen extracts under Scottish Building Regulation K.

Note 3: Approved Passivent Background Inlets should be included to habitable rooms only to meet BBA certification. See Technica I Information Sheets PV61 (Kit Reference: Background Ventilation) and PV62 (Kit Reference: Fire Dampers).

Specification clause:
Provides ventilation complying with Building Regulations Approved Document F1 by means of whole house passive stack ventilation (PSV) system.

A humidity sensitive extract is ducted to separate roof terminals matching and forming an integral part of the ridge. Ridge terminal is to provide a nett free areas of 12,300mm² and condensation groove in line with the BRE guidelines IP13/94 and must provide insect protection and weather protection.

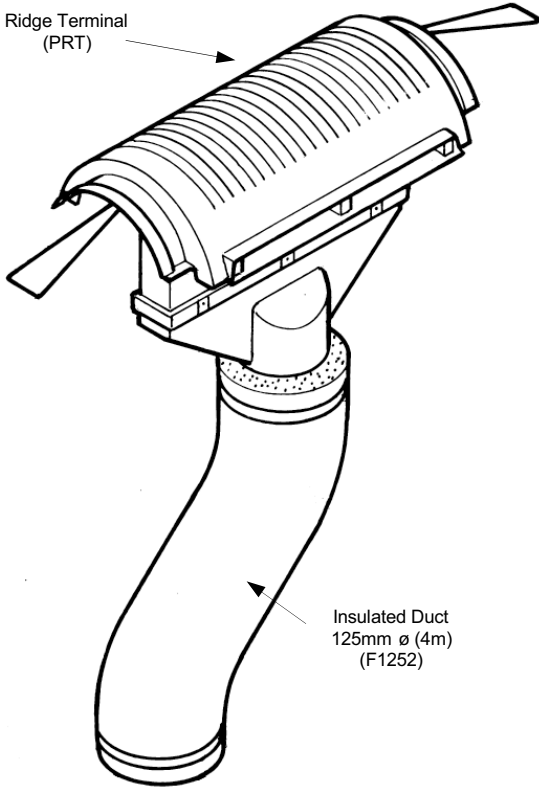
The system to be Passivent PSV System supplied by Passivent Limited, 2 Brooklands Road, Sale, Cheshire M33 3SS.

Telephone: 0161 962 7113. Facsimile: 0161 969 5346. e mail: info@passivent.com. Layout and installation must comply with any design recommendations supplied.

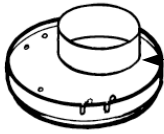


When installed with Passivent Air Inlets as part of a complete ventilation system Agrément Certificate 96/3273

Ridge Terminal
(PRT)



Insulated Duct
125mm \varnothing (4m)
(F1252)



Humidity Sensitive
Extract (A161)