

PASSIVENT AV VENTILATION SYSTEM - Typical Two Storey Layout

TYPICAL SYSTEM DESCRIPTION

Passivent Assisted Ventilation System comprising:

- ◆ Central Extract Fan(s) (ref A151)
- ◆ Humidity Sensitive Extract (ref A121) - located in wet rooms
- ◆ Tile Terminal(s) (ref TT13)
- ◆ Background ventilation via Window Mounted Humidity Sensitive Tricklevents (ref A101 / PVCG4) or Wall Mounted Humidity Sensitive Inlets (ref A111 / PV250) - located in dry rooms only
- ◆ Ducting
- ◆ Fire Dampers
- ◆ Speed Clamps

Note 1:

Fire dampers are required behind all extracts in multi occupancy dwellings where fire prevention is required and above kitchen extracts under Scottish Building Regulation K.

Note 2:

Approved Passivent Background Inlets should be included to habitable rooms only to meet BBA certification.

Specification clause:
Provide BBA Certified (96/3273) Ventilation System complying with Building Regulations Approved Document F1 by means of a Wholehouse Assisted Ventilation (ref Passivent AV) System.

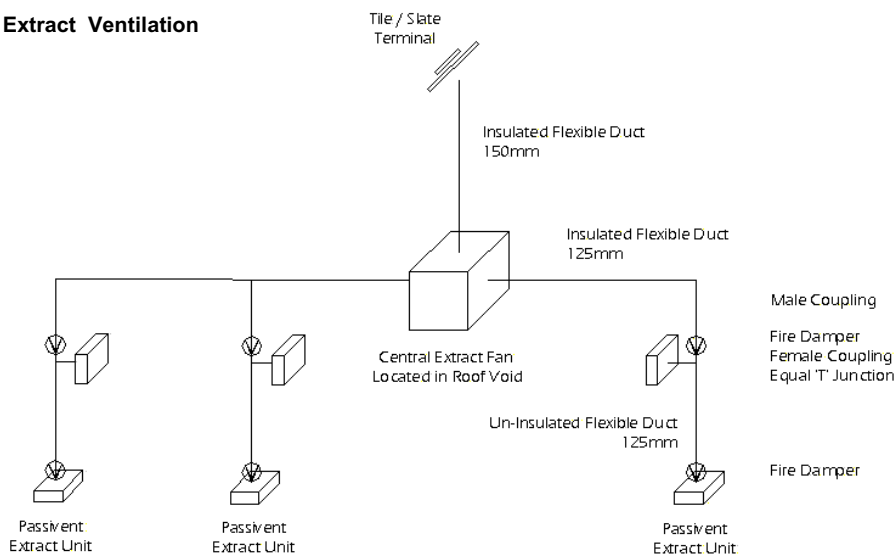
The complete system shall comprise:
Humidity sensitive wall/window inlet vents operating between 40% and 70% RH sited in habitable rooms as required. Humidity sensitive ceiling or wall mounted extracts sited in kitchens, bathrooms, utility rooms and WC's. Each extract to be ducted to a continuously running low powered central fan and from the fan to a roof/wall outlet terminal.

Terminals to provide an airflow resistance not exceeding 18Pa at an air movement of 300m³/h and must provide insect and weather protection. All ducting in roofspace to be fully insulated with 25mm insulation.

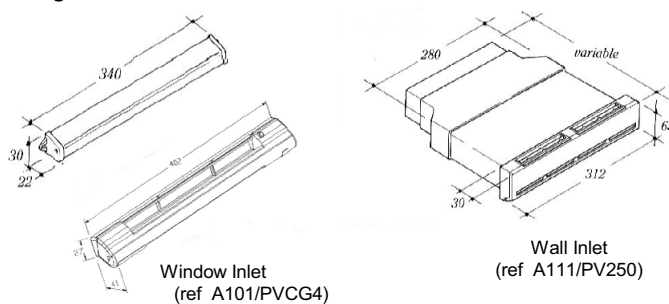
The system to be Passivent AV System supplied by Passivent Limited, 2 Brooklands Road, Sale, Cheshire M33 3SS. Telephone: 0161 962 7113, Facsimile: 0161 969 5346 and to be installed in accordance with the manufacturer's instructions.

It is recommended that installation is carried out by a trained Passivent Preferred Installer. Layout and installation must comply with any design recommendations supplied.

Extract Ventilation



Background Ventilation



When installed with Passivent Air Inlets as part of a complete ventilation system Agrément Certificate 96/3273